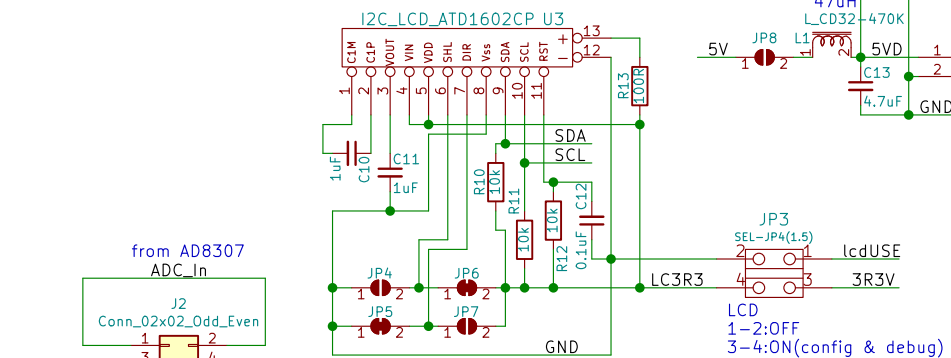
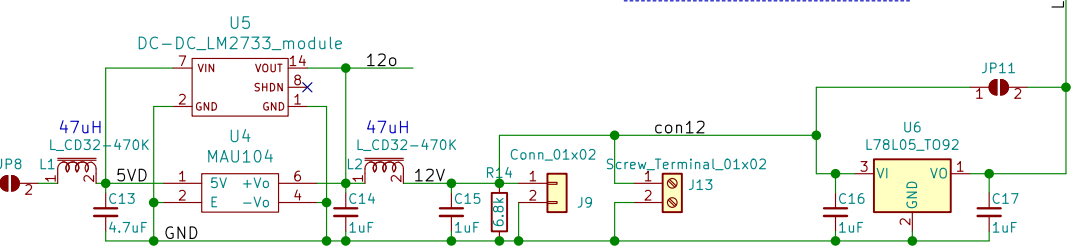
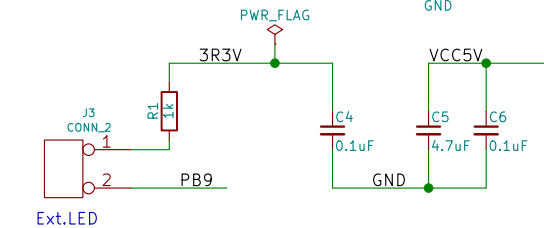
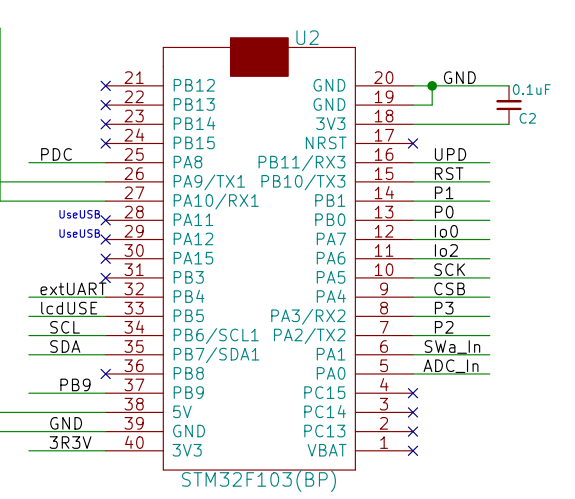
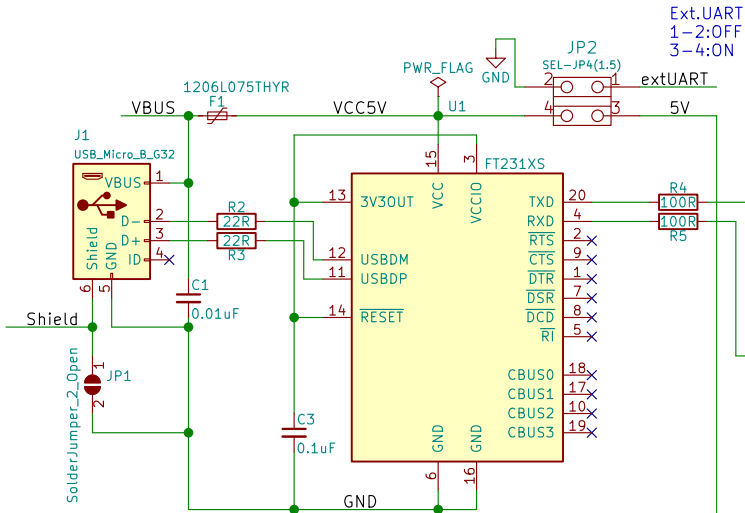
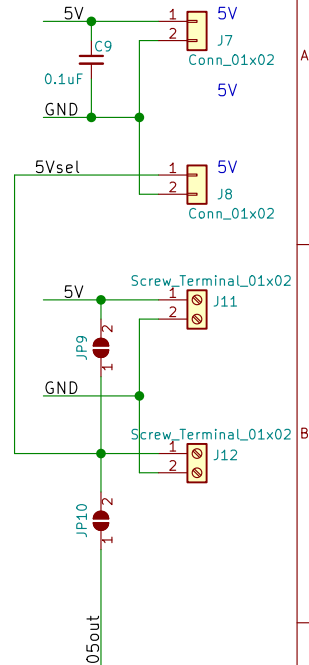
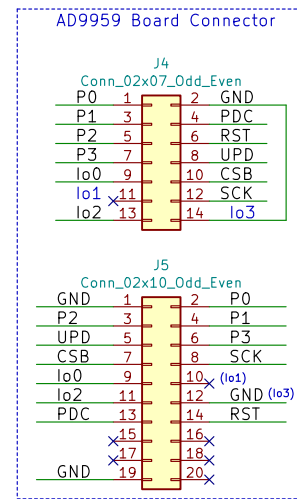
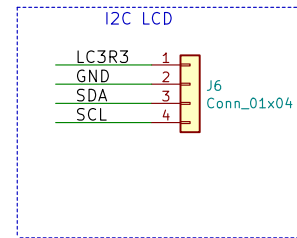
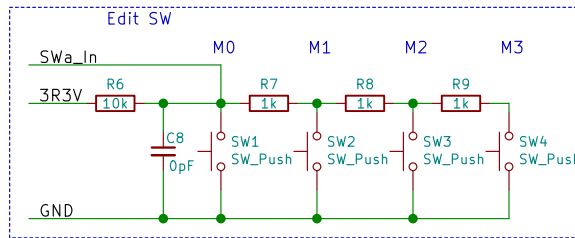


J1 USB\_Micro\_B\_G32 is AliExpress :Yihuanglong Store  
 (20pcs Micro USB 5pin Long Pin Jack Female Socket G32  
 Connector OX Horn Curly Mouth for Tail Charging Mobile Phone)  
 F1 1206L075THYR 750mA(Itrip:1.5A) 8V RS-ONLINE [895-1628]  
 C8 Not USE



- X ○ H1
- X ○ H2
- X ○ H3
- X ○ H4

goodquality low Equivalent Series Resistance (ESR < 1.0[ at 100KHz) capacitor of a 2.2uF

STM32F103C8T6 (Blue Pill) AD9959 module AD8307 module  
 SELECT: MAU104 or LM2733 module (5V to 12V)  
 SELECT: XH(JST)Connector or Screw Terminal

2019/05/07:V2  
**JE3JLB**  
 Sheet: /  
 File: STM32\_Base.sch

**Title: STM32duino BaseBoard AD9959 Controller (FRAT) V2**

Size: A4	Date: 2019-05-07	Rev:
KiCad E.D.A. kicad (5.1.2)-1		Id: 1/1