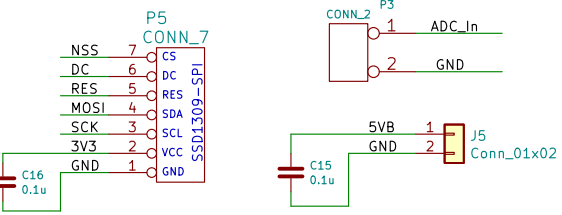
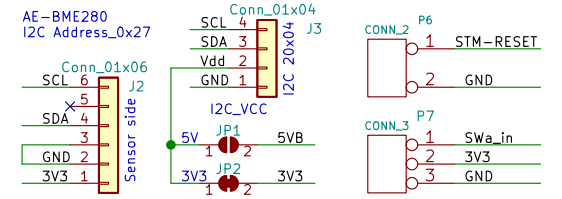
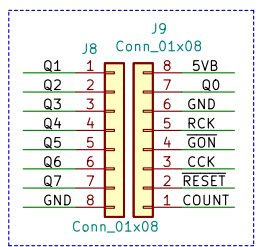
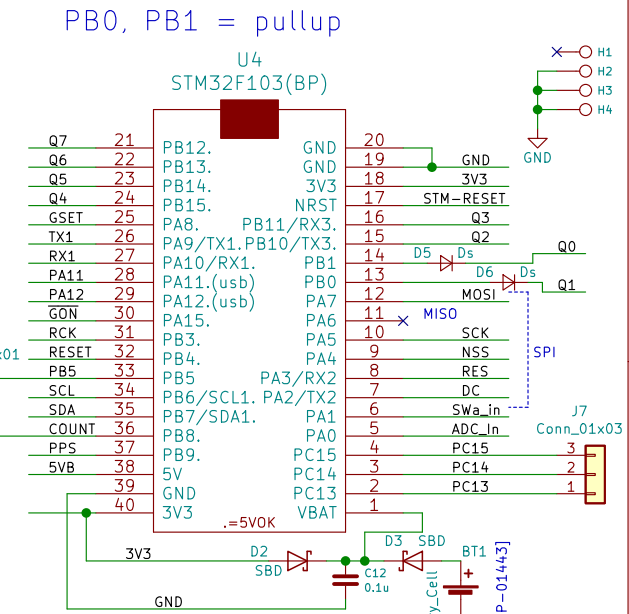
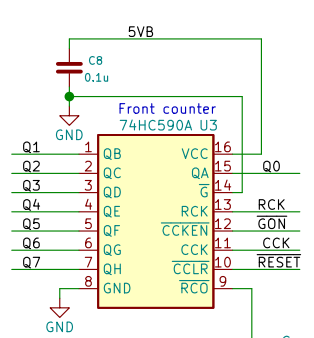
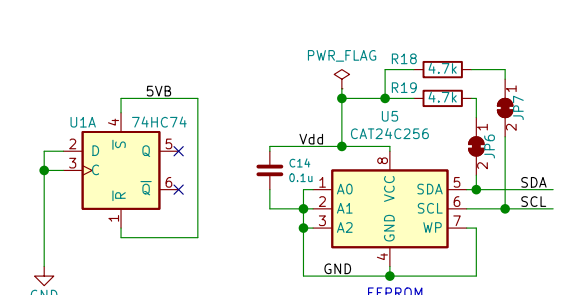
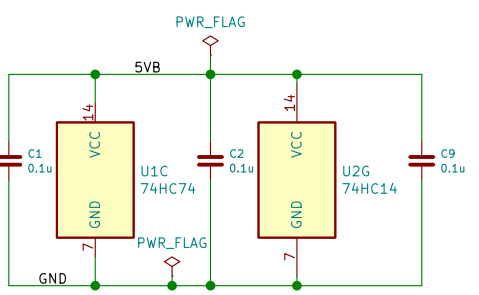
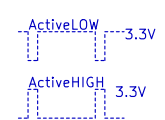
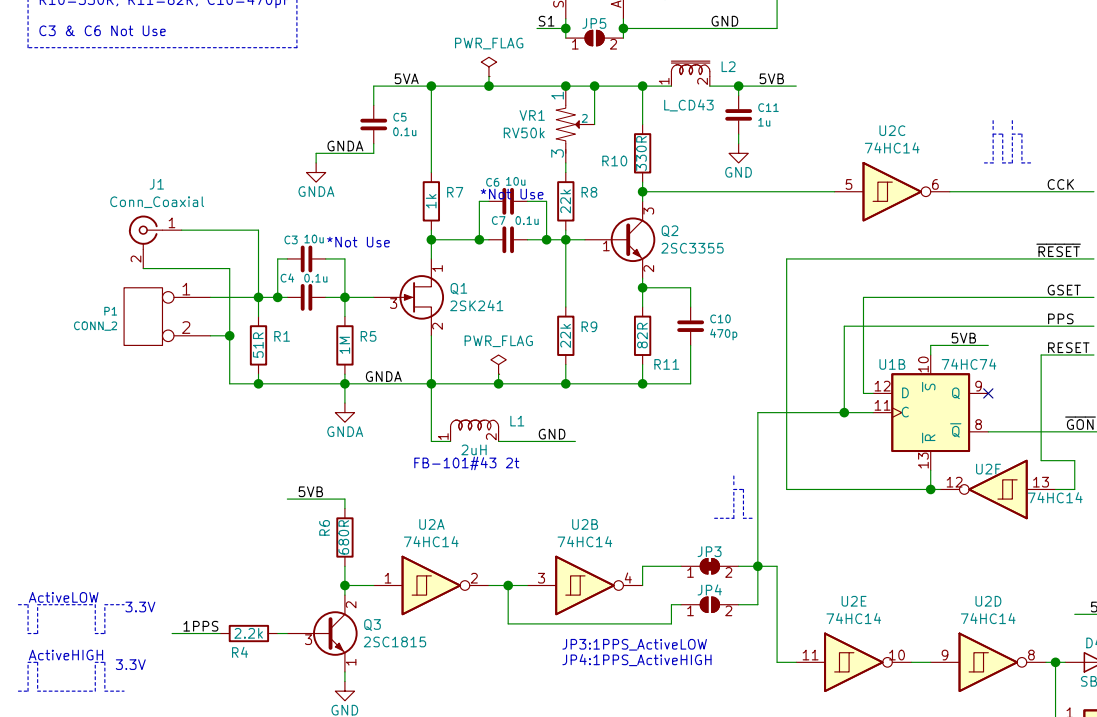


R10=1K, R11=100R, C10=0.1uF
or
R10=330R, R11=82R, C10=470pf
C3 & C6 Not Use

J4 AKIZUKI [C-14356]
USB2.0 Type-C
5077CR-16SMC2-BK-TR



First draft:2019-12-17

Sheet: /
File: CalibrationTool.sch

Title: OXCO Calibrator by GPS V3

Size: A4 Date: 2020-04-06
KiCad E.D.A. kicad (5.1.5)-3

Rev:
Id: 1/1