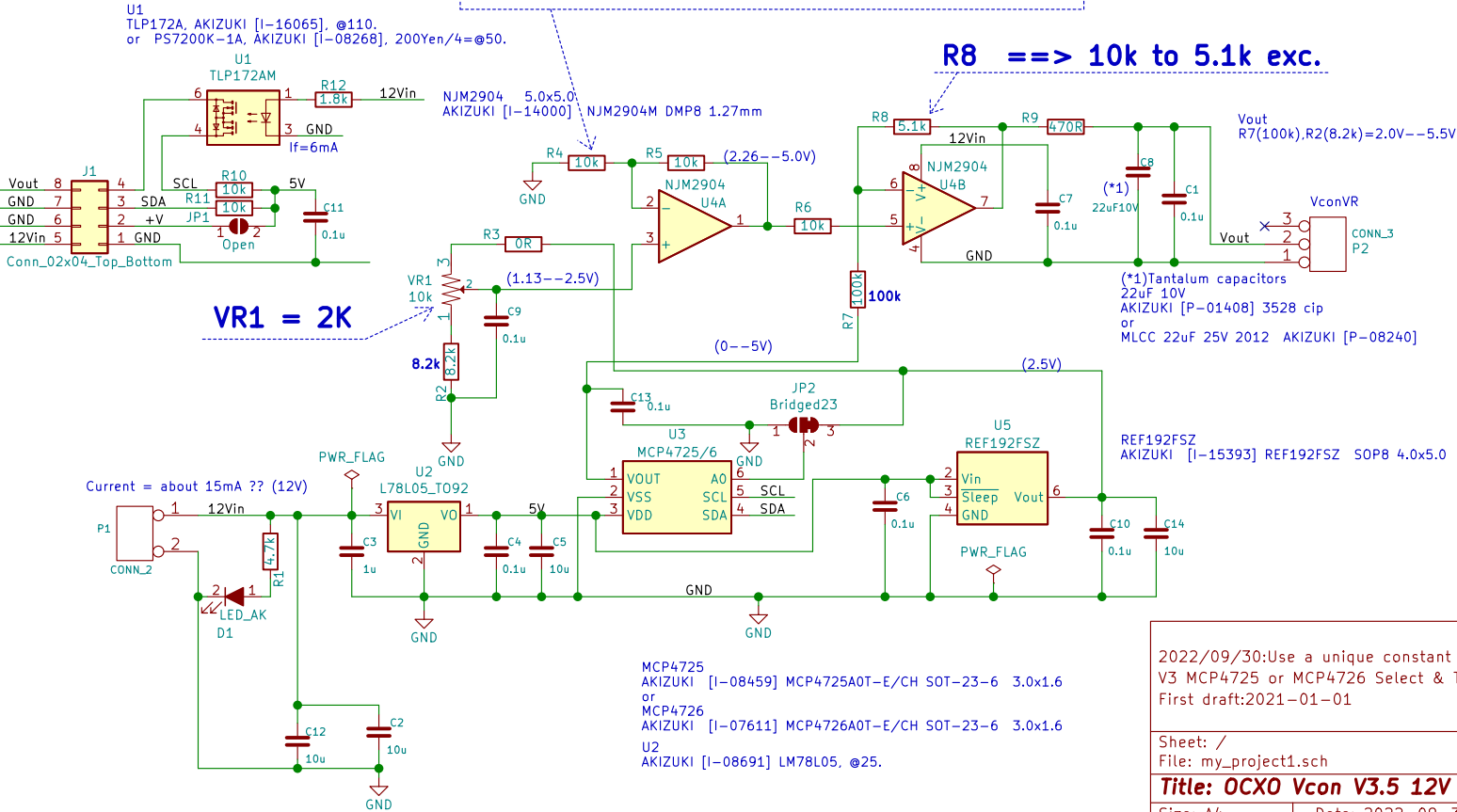


Target OCXO (Trial calculation at LTspice) R99 @LORD navicom=150k, TOYOCOM=300K  
 Vin=5.2V, R3=1.2Kohm, VR1=2Kohm(DACcenter5.14 to 5.29V), R2=68k VR1centerDAC\_Adj. 5.09 to 5.34V (@R4=9.1K)  
 Vin=4.9V, R3=1.2Kohm, VR1=2Kohm(DACcenter4.81 to 5.00V), R2=51k VR1centerDAC\_Adj. 4.78 to 5.02V (@R4=10K)  
 Vin=4.4V, R3=6.8Kohm, VR1=2Kohm(DACcenter4.29 to 4.48V), R2=47k VR1centerDAC\_Adj. 4.26 to 4.51V (@R4=10K)  
 Vin=2.9V, R3=33K+690Kohm, VR1=2Kohm(DACcenter2.82 to 2.95V), R2=43k VR1centerDAC\_Adj. 2.77 to 3.01V (@R4=10K)  
 Vin=2.5V, R3=27Kohm, VR1=2Kohm(DACcenter2.41 to 2.59V), R2=27K VR1centerDAC\_Adj. 2.37 to 2.62V (@R4=10K)

Vout >= 5V R4 = 9.1K  
 Vout < 5V R4 = 10K

R8 ==> 10k to 5.1k exc.

- 1:Uref 5V
- 2:Us 12V
- 3:RF
- 4:GND
- 5:Uin 0 to 5V



2022/09/30: Use a unique constant for each OCXO.  
 V3 MCP4725 or MCP4726 Select & TLP172AM  
 First draft: 2021-01-01

Sheet: /  
 File: my\_project1.sch

**Title: OCXO Vcon V3.5 12V**

Size: A4 Date: 2022-09-30  
 KiCad E.D.A. kicad (5.1.12)-1

Rev:  
 Id: 1/1

C12: 220uF 25V, [25PK220MEFC6.3X11]  
 AKIZUKI [P-03179], 6.3Φ, F=2.5, @20.