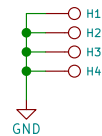
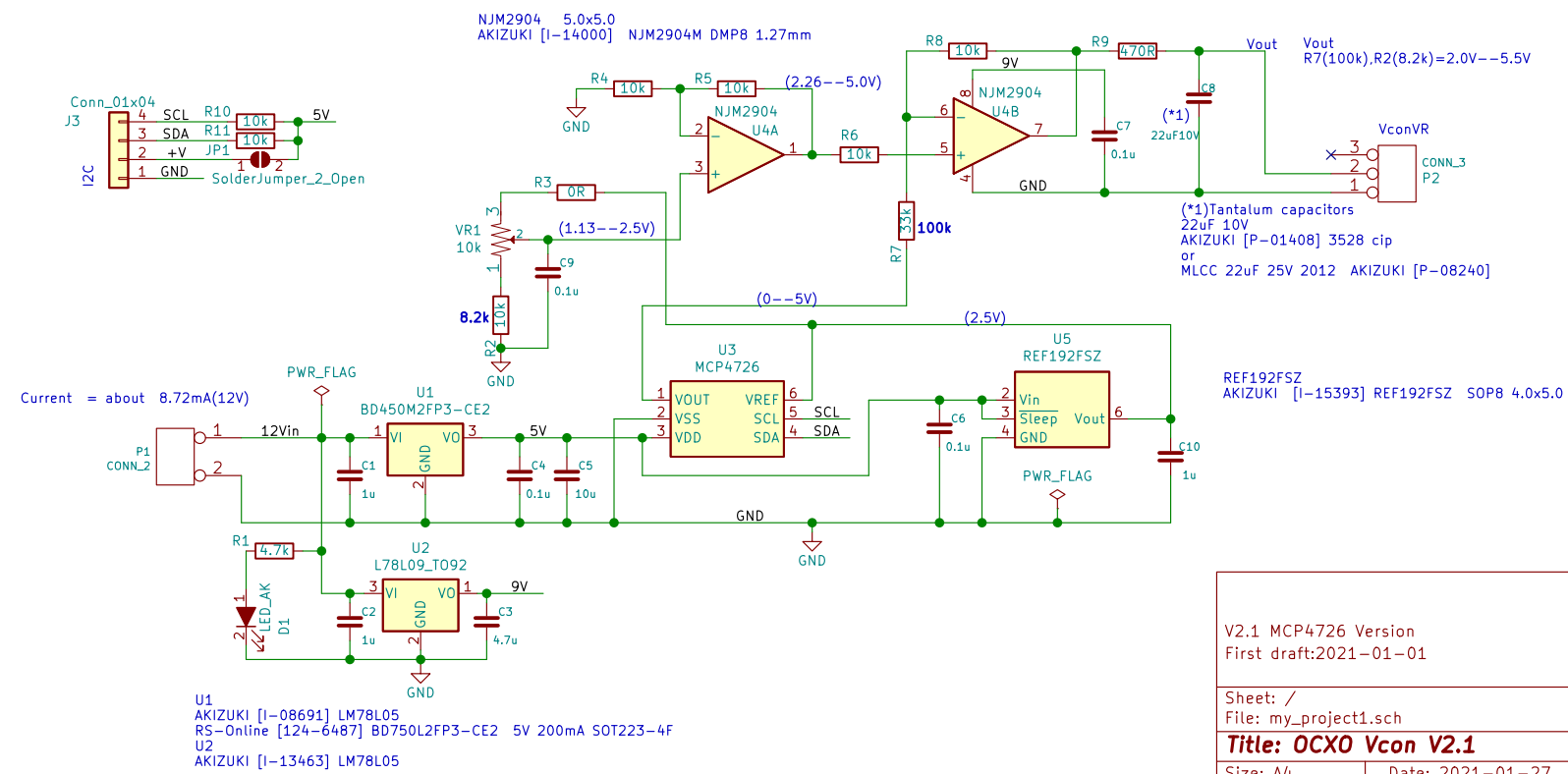


1:Uref 5V
 2:Us 12V
 3:RF
 4:GND
 5:Uin 0 to 5V



V2.1 MCP4726 Version
 First draft:2021-01-01

Sheet: /
 File: my_project1.sch

Title: OXCO Vcon V2.1

Size: A4 Date: 2021-01-27
 KiCad E.D.A. kicad (5.1.12)-1

Rev:
 Id: 1/1