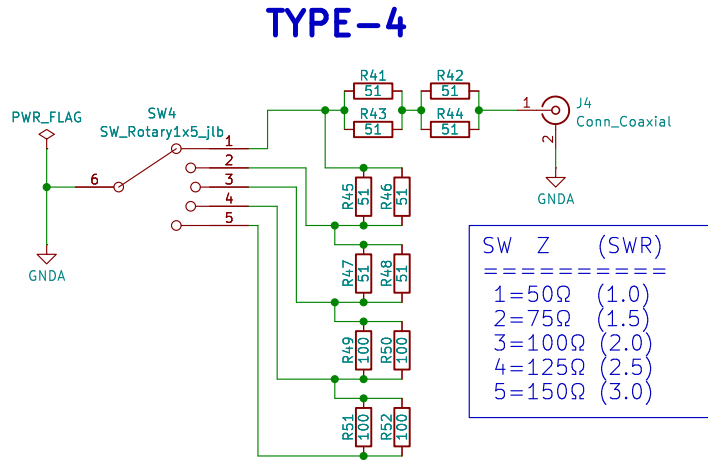
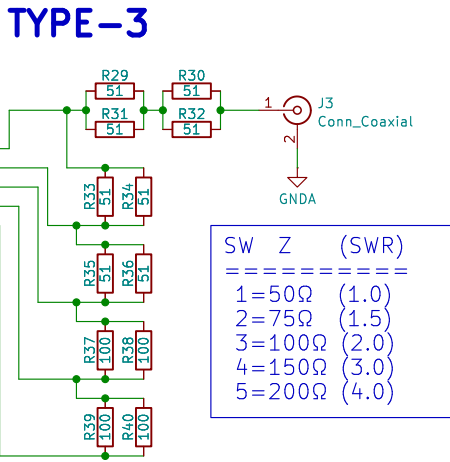
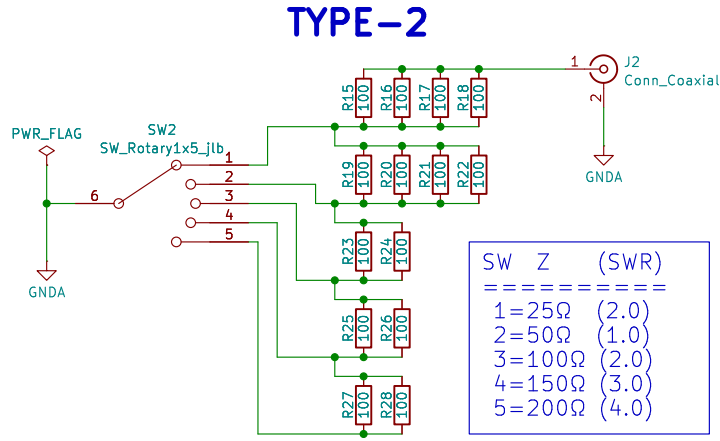


採用



全抵抗 金属皮膜抵抗 3W 1% (秋月電子)

Sheet: /	
File: SWR_Multi-step_dummy_lead.kicad_sch	
Title: SWR_Multi-step_dummy_lead	
Size: A4	Date: 2024-11-01
KiCad E.D.A. 8.0.6	Rev:
	Id: 1/1